

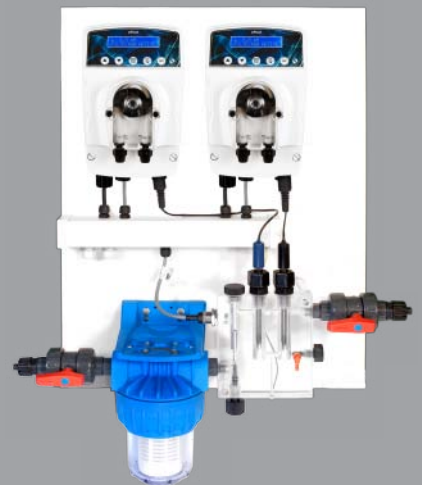


Serie ePool

The ePool is designed to be use on domestic, small swimming pools and wellness centres. Using microelectronic technology the instrument monitors in real time and activates the peristaltic pump for correct liquid dosage.

The functions performed by the ePool are:

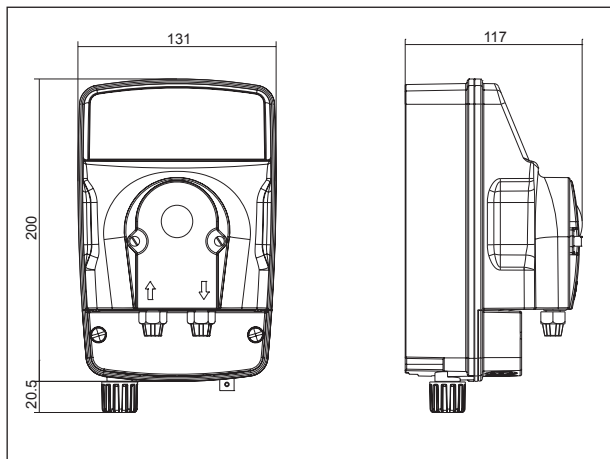
- Power supply – 110, 230 Vac 50/60 Hz.
- Maximum power supply – 15 W
- It has the possibility to measure two different types of electrochemical variables: pH or Rx in the ranges $4 \div 9$ "pH", $-300 \div +900$ mV "Rx".
- Set Point Selection.
- Type of intervention (direct or inverse).
- Hysteresis.
- ON/OFF or proportional activation mode respect to the measure value.
- Delay time of the pump activation.
- Over alarm, indicates an overdose situation. This is activated when the defined set point value is not reached in a predetermined time.
- Relay output for signalled alarm status.
- Level switch input.



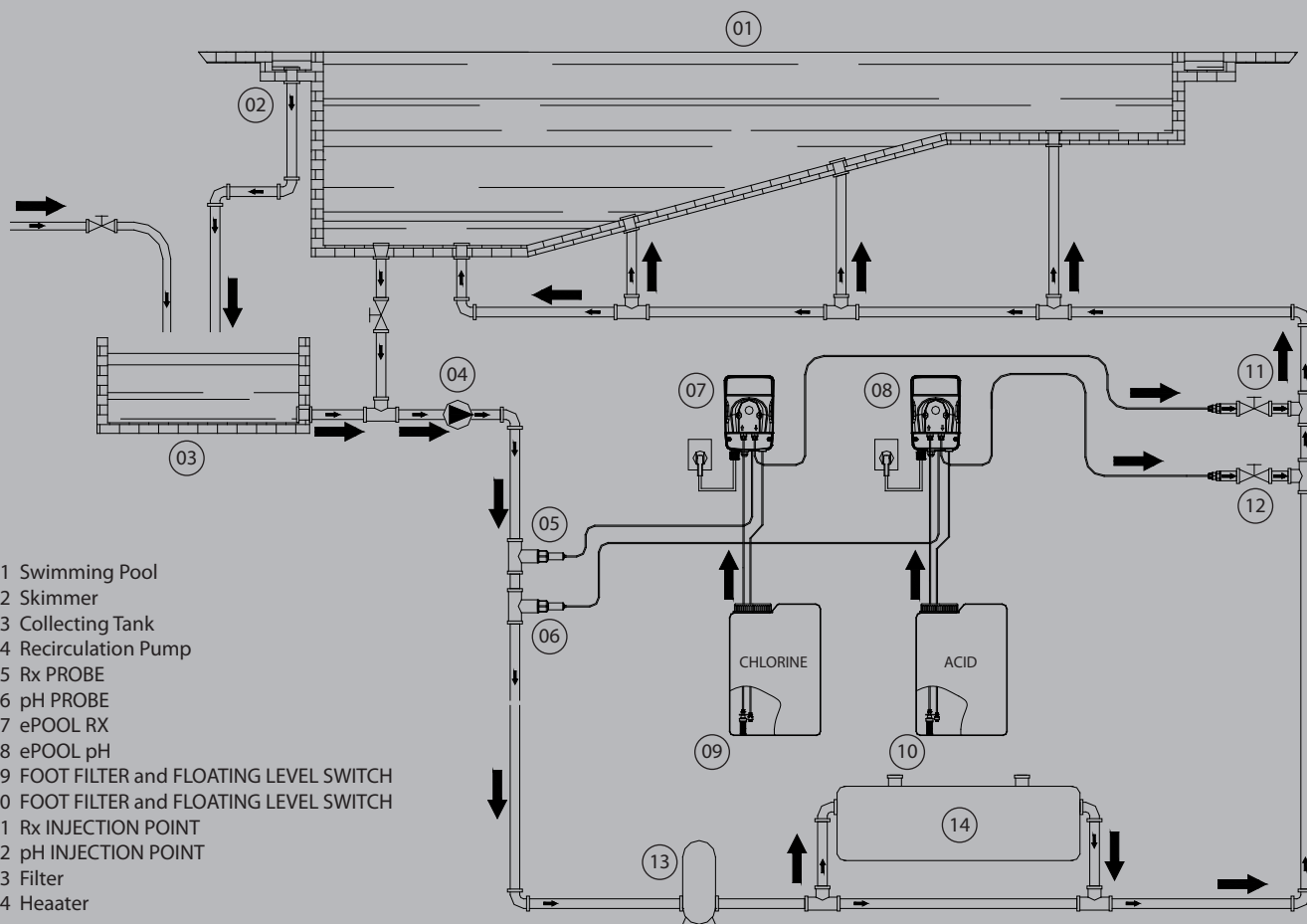
Serie ePool

Max Flow rate Portata Max			Max Pressure Pressione Max	Standard power supply Alim. elettr. standard	Power comp. Potenza ass. Watts	Net weight Peso netto Kg
l/h - GPH	mL/min	mL/giro				
1,5 - 0,40	25	1,25	1,5 - 21	220 - 240 V 50-60 Hz	10	1,5
3 - 0,79	50	1,25	1,5 - 21			
2 - 0,53	33	1,22	2 - 29	100 - 250 V 50-60 Hz		
3 - 0,79	50	1,35	3 - 43			

DIMENSIONI DI INGOMBRO/OVERALL DIMENSIONS



CORREDO/KIT



- 01 Swimming Pool
- 02 Skimmer
- 03 Collecting Tank
- 04 Recirculation Pump
- 05 Rx PROBE
- 06 pH PROBE
- 07 ePOOL RX
- 08 ePOOL pH
- 09 FOOT FILTER and FLOATING LEVEL SWITCH
- 10 FOOT FILTER and FLOATING LEVEL SWITCH
- 11 Rx INJECTION POINT
- 12 pH INJECTION POINT
- 13 Filter
- 14 Heater

ETATRON D.S.

Via Dei Ranuncoli, 53 - 00134 Roma ITALY
 Phone +39 06 93 49 891 - Fax +39 06 93 43 924
 e-mail: info@etatronds.com
 www.etatronds.com

